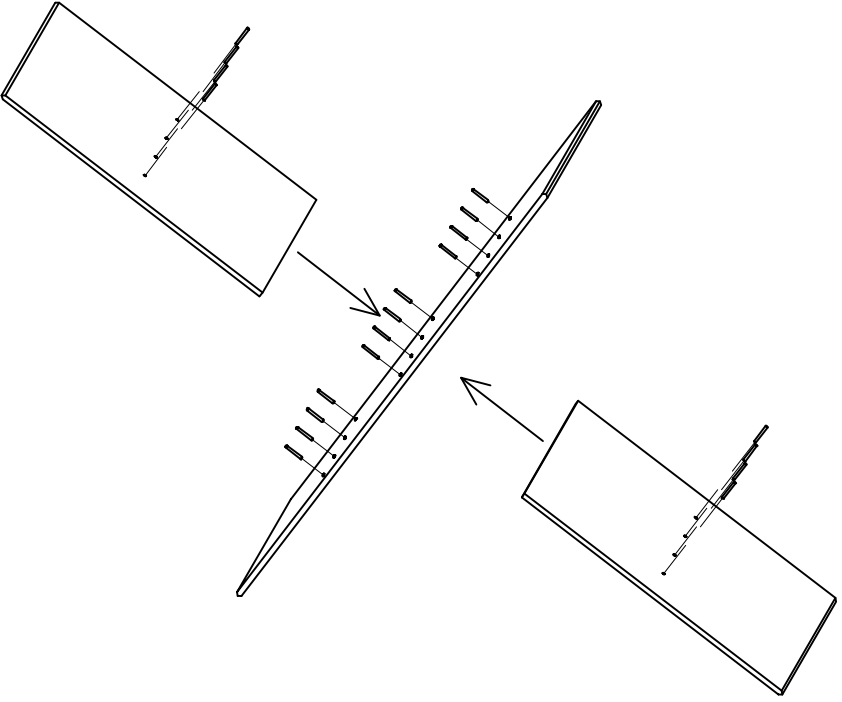
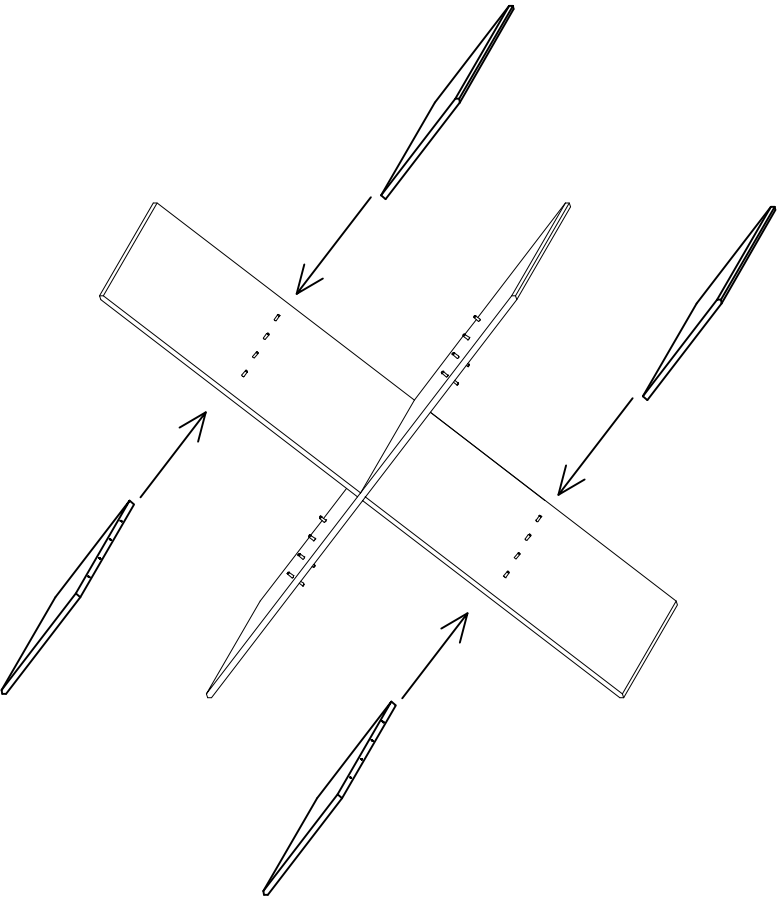


1

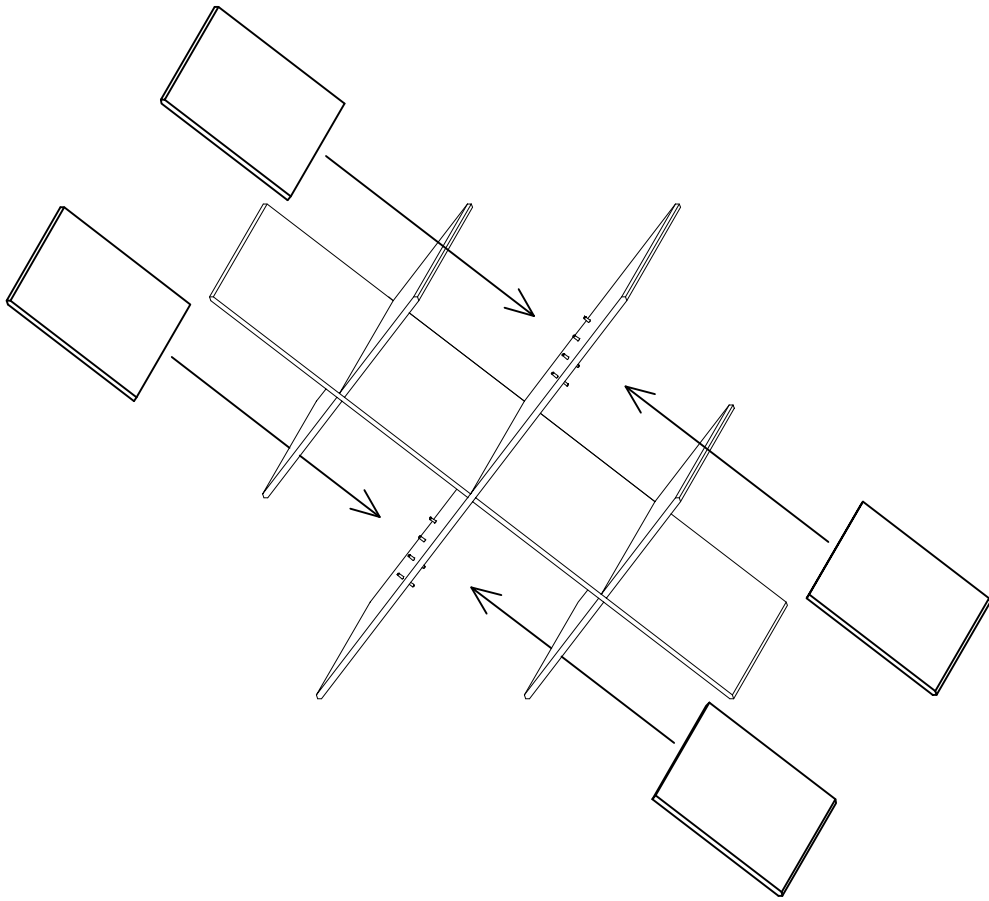
INSTALL DOWELS



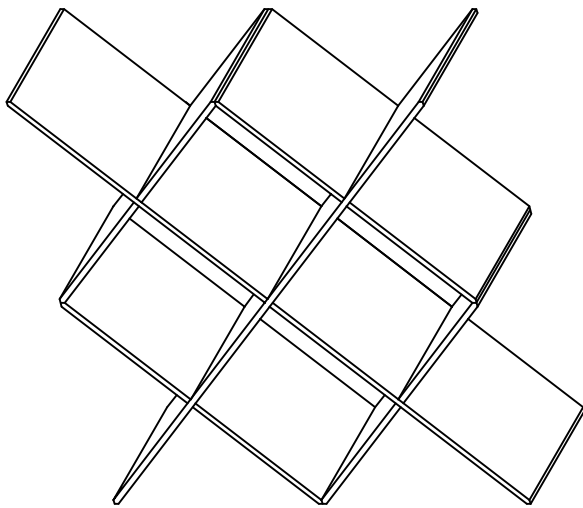
2



3

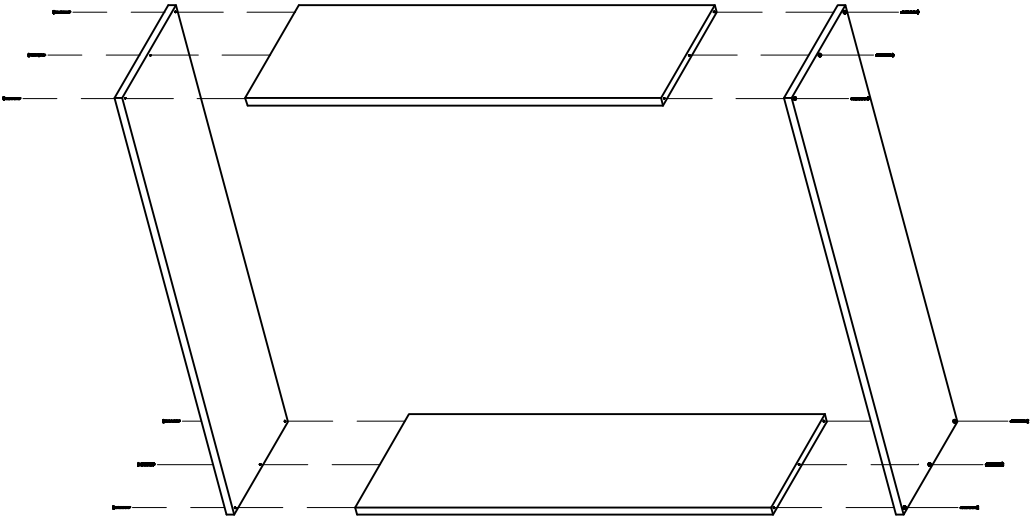


4

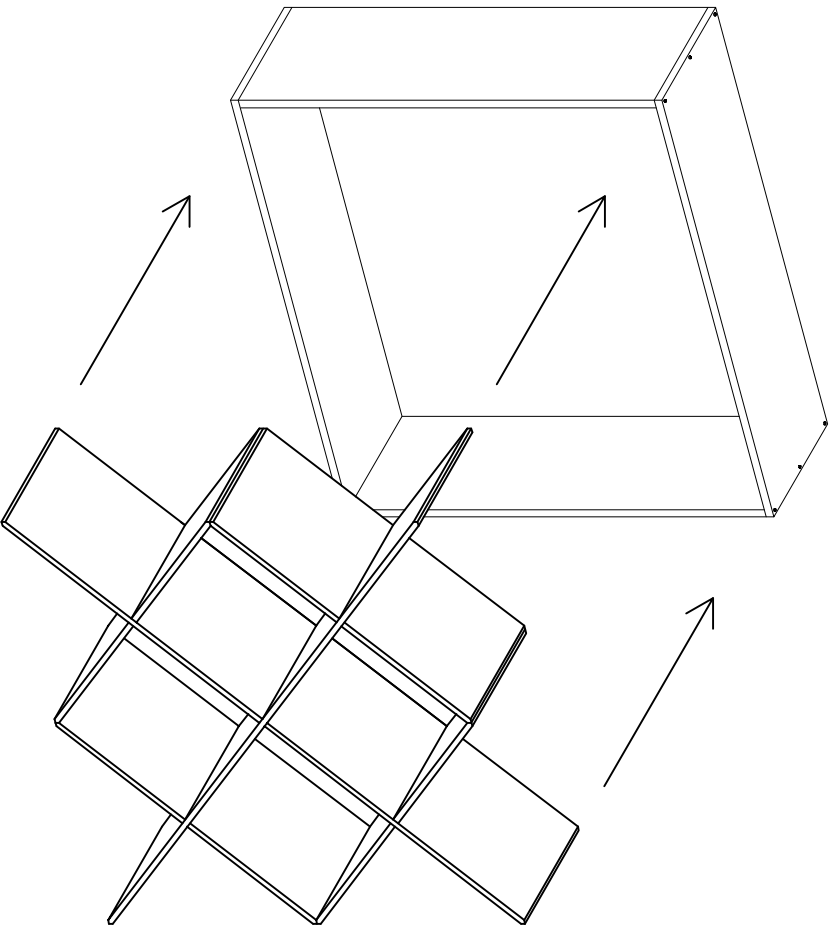


5

DO NOT TIGHTEN SCREWS. CUBE NEEDS TO BE A LOOSE FIT SO THAT THE CROSS PIECES MAY BE FITTED.



6



7

SCREWS MAY NOW BE TIGHTENED.

